

### Overviews

2 way sub-trunk amplifier for outdoor use , It's specially designed for the delivery of data , video and voice service.It also provides highRF performance and supports two way transmission(Both forward path and reverse path) . Used in Sub-trunk Network.

### Feature

- Philips module (BGD814)
- High gain , high output level and low non-linearity
- Plug-in fixed or variable attenuator and equalizer (0~20dB)
- Different frequency split is specified by clients
- Local and remote powering available
- Weatherproof and RF-screened die-cast housing



### Specification

Item	Unit	Technical Parameter
<b>Forward optical receiving part</b>		
Frequency Range	MHz	47/87-862
Gain	dB	30±1.0
Flatness	dB	±1.0
Gain Adjustment	dB	0~15
Slope Adjustment	dB	0~15
Rated Output Level	dBuV	102
Noise Figure		<12
C/CTB	dB	≥ 61
C/CSO	dB	≥ 60
Return loss	dB	≥12
<b>Return Path</b>		
Frequency Range	MHz	5-30/65
Gain	dB	≥ 14
Flatness	dB	±0.75
Gain Adjustment	dB	0~15
Rated Output Level	dBuV	110

# AST440 CATV Amplifier

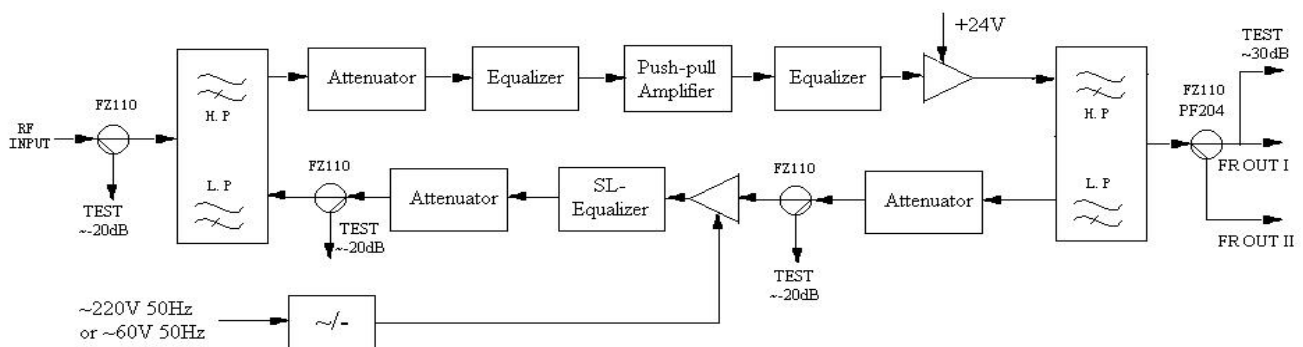
OUTDOOR CATV TRUNK AMPLIFIER



DATASHEET/JAN 2018 CATV Coaxial Transmission Network

Noise Figure	dB	<12
CSO	dB	≥ 52
Return Loss	dB	≥14
<b>Generally Parameter</b>		
Impedance	MHz	75
Power Remote/Local	V	AC15~60/AC165~250
Power Consumption	VA	30
Dimension	mm	270(L)*215(W)*118(H)
Connector		F type female , Imperial thread

## Block diagram



We produce a wide selection of network equipment under HONDAO brand . Gather hundreds of products ,which are supplier to customs of different filed and different requirement . QC team test all goods before shipment . We screen the Chinese supplier in a search of the most efficient product solutions available to satisfy your individual needs.

HONDAO reserves the right to change the design or specification at any time without notice.