

### Overviews

OR200XR Series CATV return path optical receiver built in 2 way or 4 way independent path receiving and amplifier . World-Class low ow noise PD and high filter rejection circuit ensure More flexibility. It has used at large and middle-size network .2way or 4 way is optional .



### Feature

- Pin-diode receiving module( E-O or Ortel ).
- Wide range of optical input power.
- Frequency range 5 ~ 200MHz.
- Low distortion, high sensitive.
- Low noise, high S/N ratio.

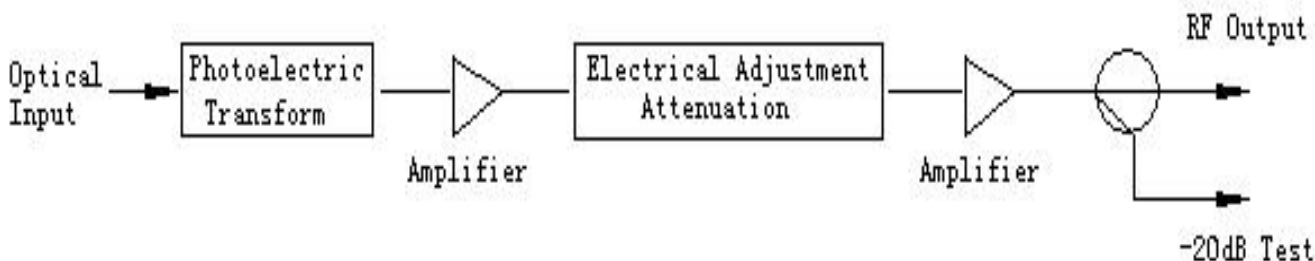
### Specification

ITEM	UNIT	TECHNICAL PARAMETER
<b>Optical Parameter</b>		
Input Power Range	dBm	-15 ~ +3
Return Loss	dB	> 45
Optical Receiver Wavelength	nm	1310 , 1550
Passband Flatness	dB	± 1.5
Noise Power Ratio Dynamic Range	dB	≥ 15 (NPR ≥ 30dB) DFB
<b>RF Parameter</b>		
Frequency range	MHz	5-65/200
Output Power Level	dBμV	≥90 (Received Level at -8dBm)
Return loss	dB	≥16
Output Impedance	Ω	75
Output Level Adjustment	dB	20
Output Level Stability	dB	± 1.5
Test port	dB	-20

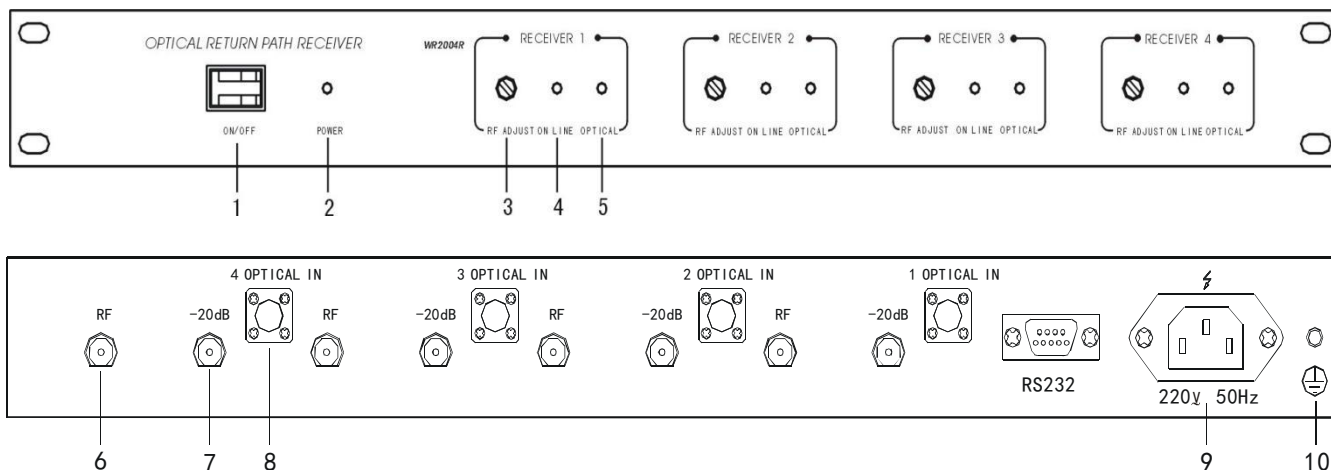
General Parameter		
Connector		FC/APC or SC/APC , F Female
Power supply	V	AC220V or DC - 48V
Operating Temperature	°C	-40~+60
Storage Temperature	°C	-40~+65
Relative Humidity	%	max. 95% no condensation
Power consumption	VA	25W
Dimension	mm	483 (L) × 282 (W) × 44 (H)

Note : The parameter of forward RF is tested under the condition of using GaAs 25 dB double power module In the last stage , if you use other module , the parameter will be slightly different.

### Block Diagram



### Front and Rear Panels Functions Explain



- 1) power switch , 2) power led ,3) RF ATT , 4) operating led , 5) optical power led ,6) RF output port ,
- 7) RF test port (-20db) ,8) optical signal input , 9) ~AC220V power supply input , 10) earthing screw



We produce a wide selection of network equipment under HONDAO brand . Gather thousands of products ,which are supplier to customs of different filed and different requirement . QC team test all goods before shipment . We screen the Chinese supplier in a search of the most efficient product solutions available to satisfy your individual needs.