

Overviews

The Product 8in1/16in1 ISDB-T/DVB-C/DVB-T/ATSC modulator is the latest generational Mux-modulating device developed by our company. It has 8 (or16) multiplexing channels and ISDB-T/DVB-T/DVB-C modulating channels, and supports maximum 192 (or 512) IP input through the 8 GE ports and 8 (or16) ISDB-T non-adjacent carriers (50MHz~960MHz) output through the RF output interface. The device is also characterized with high integrated level, high performance and low cost. This is very adaptable to newly generation DTV broadcasting system.



Feature

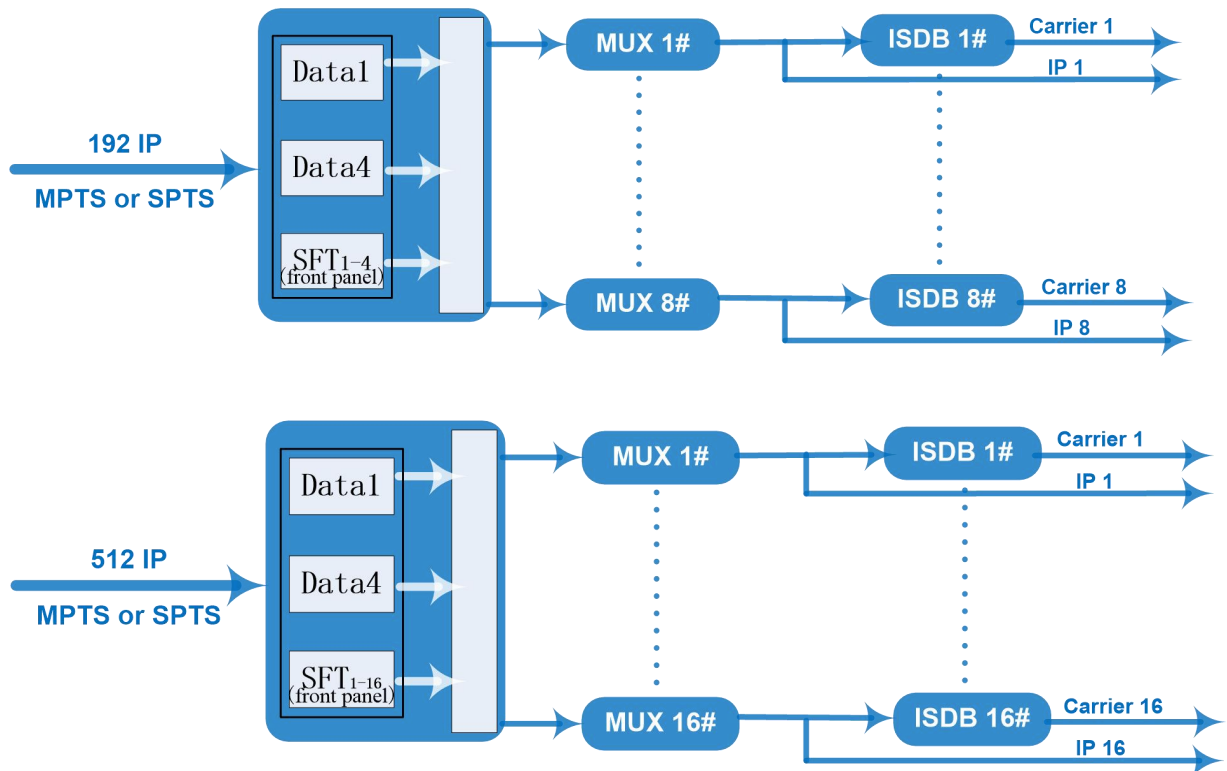
- 4GE SFT and 4 DATA ports for data input and output
- Max 840Mbps for each GE input
- Supports accurate PCR adjusting
- Supports CA filtering, PID remapping and PSI/SI editing
- Supports up to 256 PIDS remapping per channel
- Support 8/16 IP output through Data1 ~ Data4 over UDP/RTP/RTSP--Version I
- Support 16 IP output through Data1 & Data2 over UDP/RTP/RTSP--Version II
- 8 (or 16) non-adjacent carriers output, compliant to ISDB-Tb/DVB-T/DVB-C (ARIB STD-B31)
- Support Web-based Network management

Specification

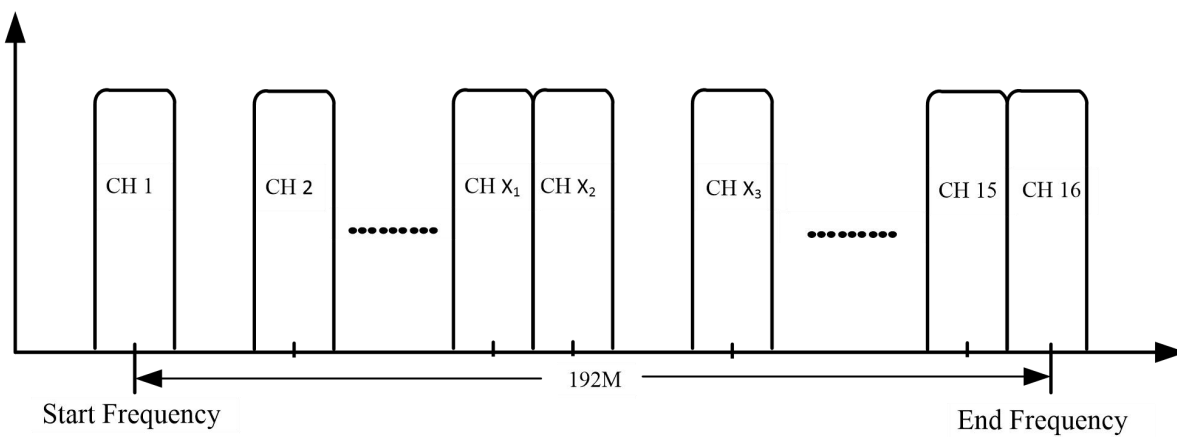
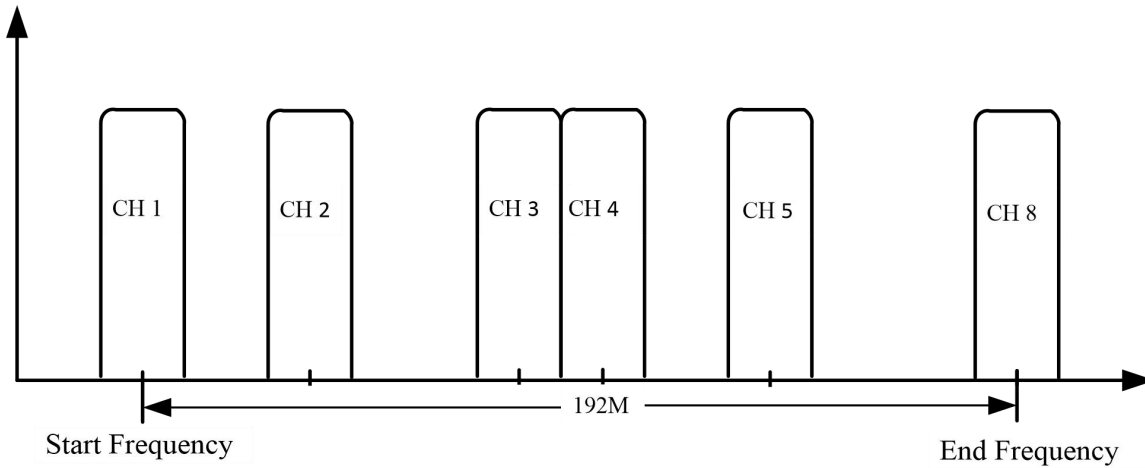
Item	Parameter
Input	
Input	<p>Max 192 IP input through 8 (front-panel Data port, Data 1 ~ SFT-X) 100/1000M Ethernet Port (SFP interface optional). Each Data1 ~ Data4 port can input max 192 IP, while front-panel Data port can input max 192 IP</p> <p style="text-align: center;">- For Version I</p> <p>Max 512 IP input through 8 (front-panel Data port, Data 1 and SFT-X) 100/1000M Ethernet Port (SFP interface optional). Each Data1 or Data 2 port can input max 512 IP, while front-panel Data port can input max 512 IP-</p> <p style="text-align: center;">16 ISDB-T Carriers out version</p> <p style="text-align: center;">-For Version II</p>
Transport Protocol	TS over UDP/RTP, unicast and multicast, IGMP V2/V3
Transmission Rate	Max 840Mbps for each GE input
Mux	
Input Channel	192
Output Channel	8 OR 16
Max PIDs	256 per channel
Functions	PID remapping (auto/manually optional)
	PCR accurate adjusting
	PSI/SI table automatically generating
Modulation Parameters	
Standard	ARIB STD-B31
Bandwidth	6M
Constellation	QPSK, 16QAM, 64QAM
Guard Interval	1/32, 1/16, 1/8, 1/4
Transmission Mode	2K, 4K, 8K
Code rate	1/2, 2/3, 3/4, 5/6, 7/8
MER	≥40dB
RF frequency	50~960MHz, 1KHz step
RF output level	-20dBm~+10dBm(87~117dbμV), 0.1dB stepping

RF Output	
Interface	1 F typed output port for 6 carriers, 75Ω impedance
ACLR	-50 dBc
TS output	
8 (or 16) IP output over UDP/RTP/RTSP, unicast/multicast, 4 (Data1& Data4) 100/1000M Ethernet Ports	
System	
Network management software (NMS) supporting	
General	
Demission	480mm×327mm×44.5mm (WxLxH)
Weight	5.5kg

Principle Chart



Carrier Setting Illustration



We produce a wide selection of network equipment under HONDAO brand . Gather thousands of products ,which are supplier to customs of different filed and different requirement . QC team test all goods before shipment . We screen the Chinese supplier in a search of the most efficient product solutions available to satisfy your individual needs.