

Overviews

2 way output CATV optical receiver . The microprocessor Control working status meanwhile LED digital display parameter That makes more convenience operation .



Feature

- High gain, high output level and low non-linearities
- Plug-in fixed or variable attenuator and equalizer(0~20dB)
- Different frequency split is specified by clients
- Local and remote powering available
- Weatherproof and RF-screened die-cast housing

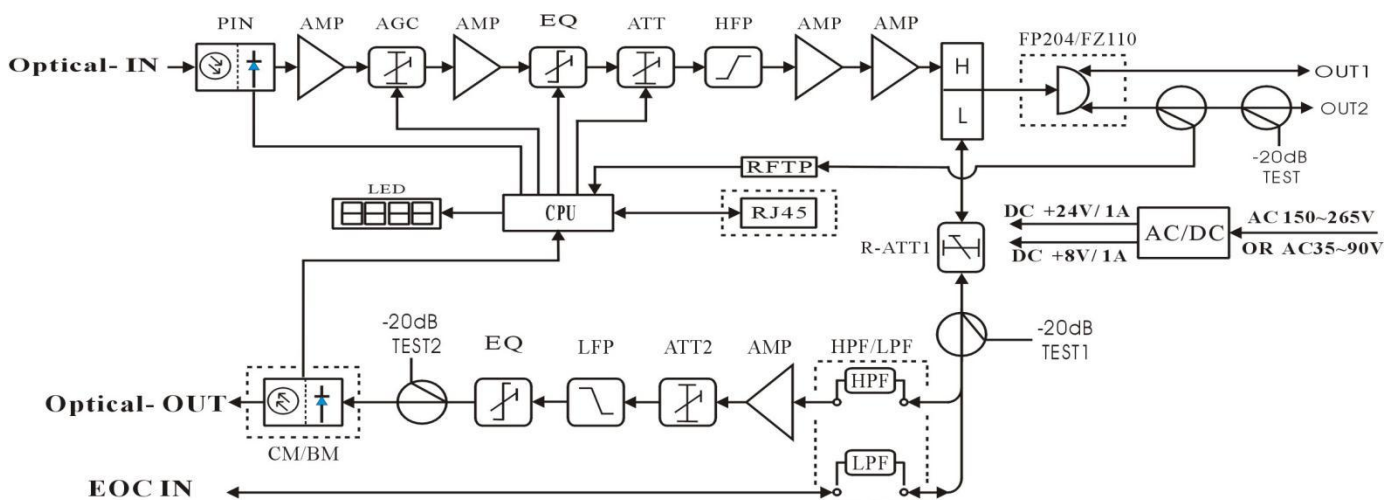
Specification

ITEM	UNIT	TECHNICAL PARAMETER
Forward Optical Receive Parameter		
Optical Parameter		
Receiving Optical Power	dBm	-9 ~ +2
Return Loss	dBm	> 45
Optical Receiver Wavelength	nm	1100 ~ 1600
Optical Connector Type		SC/APC or FC/APC
Optical fiber type		Single mode
Optical Link Performance		
C/N	dB	≥ 51
C/CTB	dB	≥ 65
C/CSO	dB	≥ 60
RF Parameter		
Frequency range	MHz	45 ~ 862 or 45~1000
Flatness	dB	±0.75
Rated output level	dBμV	≥ 108
Max output level	dBμV	≥ 114
Output return loss	dB	≥16(45-550MHz);≥14(550-862MHz)
Output Impedance	Ω	75
EQ	dB	0~15
ATT	dB	0~20

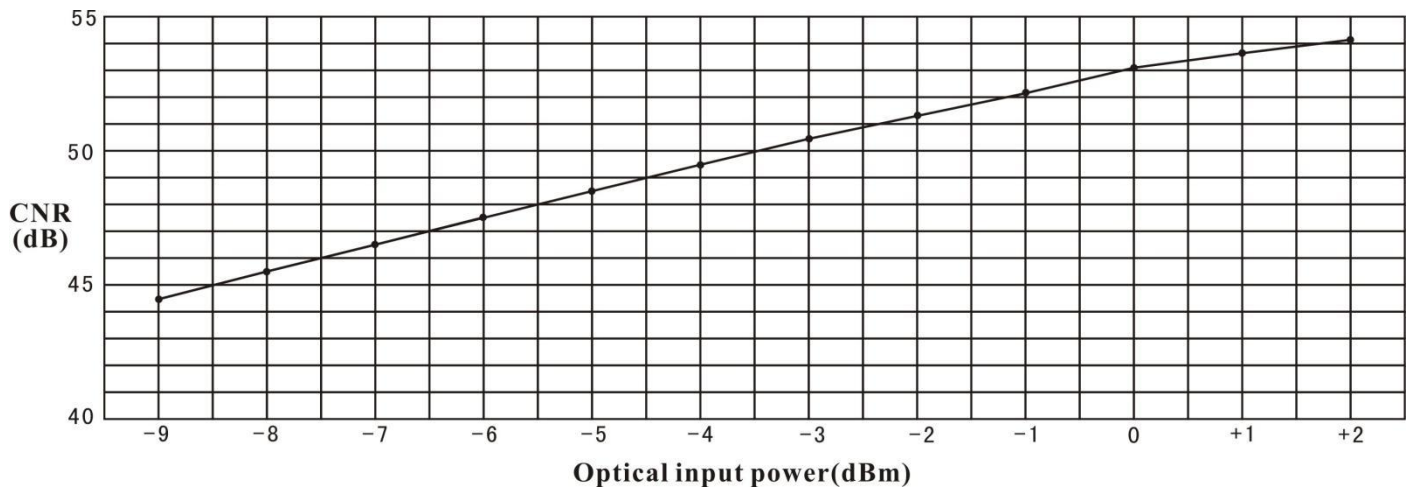
Return Optical Transmit Parameter		
Optical Parameter		
Optical Wavelength	nm	1310±10 or 1550±10
Output Optical Power	mW	0.5 ,1 ,2
RF Parameter		
Frequency Range	MHz	5-30/65
Flatness	dB	±1
Input Power Level	dBuV	72~85
Output Impedance	Ω	75
General Parameter		
Power supply	V	AC135~250V(local powering); AC35-90V(remote powering)
Operating Temperature	°C	40~60
Storage Temperature	°C	-40~65
Relative Humidity	%	max. 95% no condensation
Power consumption	VA	≤ 30
Dimension	mm	260 (L) × 200 (W) × 130 (H)

Note : The parameter of forward RF is tested under the condition of using GaAs 25 dB double power module
In the last stage , if you use other module , the parameter will be slightly different.

Block Diagram



Relation Table of Input Optical Power and CNR



We produce a wide selection of network equipment under HONDAO brand . Gather thousands of products ,which are supplier to customs of different filed and different requirement . QC team test all goods before shipment . We screen the Chinese supplier in a search of the most efficient product solutions available to satisfy your individual needs.