

Overviews

HD8602S series are our universal CATV network optical receiver with network management responder. The pre-amp adopts all-GaAs MMIC amplify and the post-amp adopts GaAs power double amplify module (This series has two models, M model RF attenuation and equilibrium adopt the continuously adjustable design, MF model with different fixed attenuation and equilibrium inserters for user option. Users can also choose more targeted high quality modules according to actual requirements). Optimized circuit design, coupled with our years professional RF design experience, the equipment achieve high performance index. It is an ideal model for CATV network.



Feature

- High Quality PIN-diode photoelectric converter
- 10 cascade LED display optical power level
- All SMD devices process
- Local and remote powering
- With AGC, stable RF output level, adjustable or fixed EQ and ATT
- Aluminum alloy material waterproof housing
- Optical AGC control, when the input optical power range is $-7 \sim +2$ dBm, the output level, CTB and CSO basically unchanged.

Specification

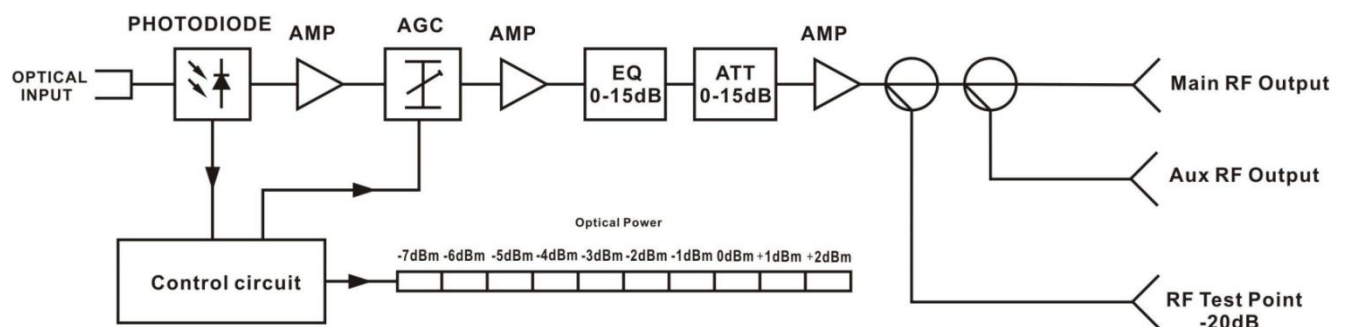
ITEM	UNIT	HD8602S	HD8602SH	HD8602SF	HD8602SHF
Optical Parameter					
Input Power Range	dBm			-7 ~ +2	
Return Loss	dBm			> 45	
Optical Receiver Wavelength	nm			1100 ~ 1600	
Optical Connector Type				SC/APC or FC/APC	
Optical fiber type				Single mode	

Optical Link Performance				
C/N	dB	≥ 51		
C/CTB	dB	≥ 65		
C/CSO	dB	≥ 60		
RF Parameter				
Frequency range	MHz	45 ~ 862 or 45-1000		
Flatness	dB	±0.75		
Rated output lever	dBμV	≥105	≥108	≥105 ≥108
Max output lever	dBμV	≥105	≥114	≥105 ≥118
EQ	dB	0~15 adjustable		Fixed EQ inserter
ATT	dB	0~15 adjustable		Fixed EQ inserter
Output return loss	dB	≥14		
Output Impedance	Ω	75		
General Parameter				
Connector		FC/APC or SC/APC , F Female		
Power supply	V	AC135~250V(local powering); AC35-90V(remote powering)		
Operating Temperature	°C	-40~+60		
Storage Temperature	°C	-40~+65		
Relative Humidity	%	max. 95% no condensation		
Power consumption	VA	≤ 30		
Dimension	mm	185 (L) × 140 (W) × 91 (H)		

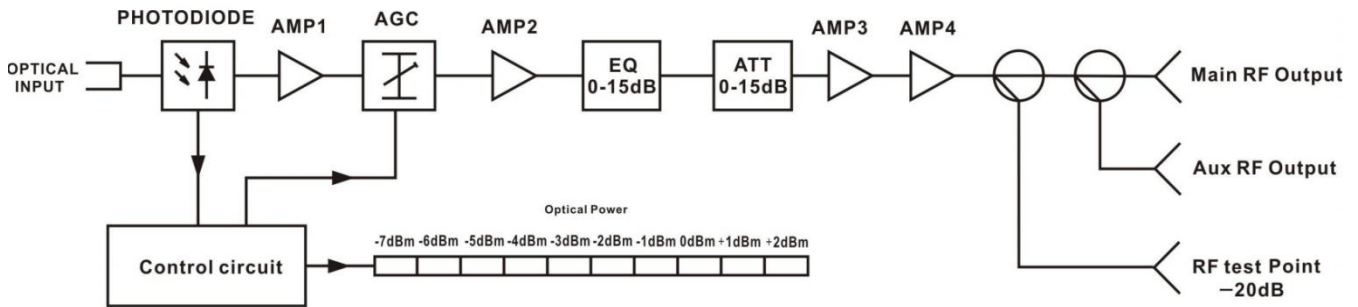
Note : 1. Different modules, different parameters; 2. Those have the H suffix are high level output model (SR812SH, SR812SFH); 3. This series have 862MHz and 1000MHz two bandwidths for option. Those have the “-1G” suffix are 1000MHz products.

Block Diagram

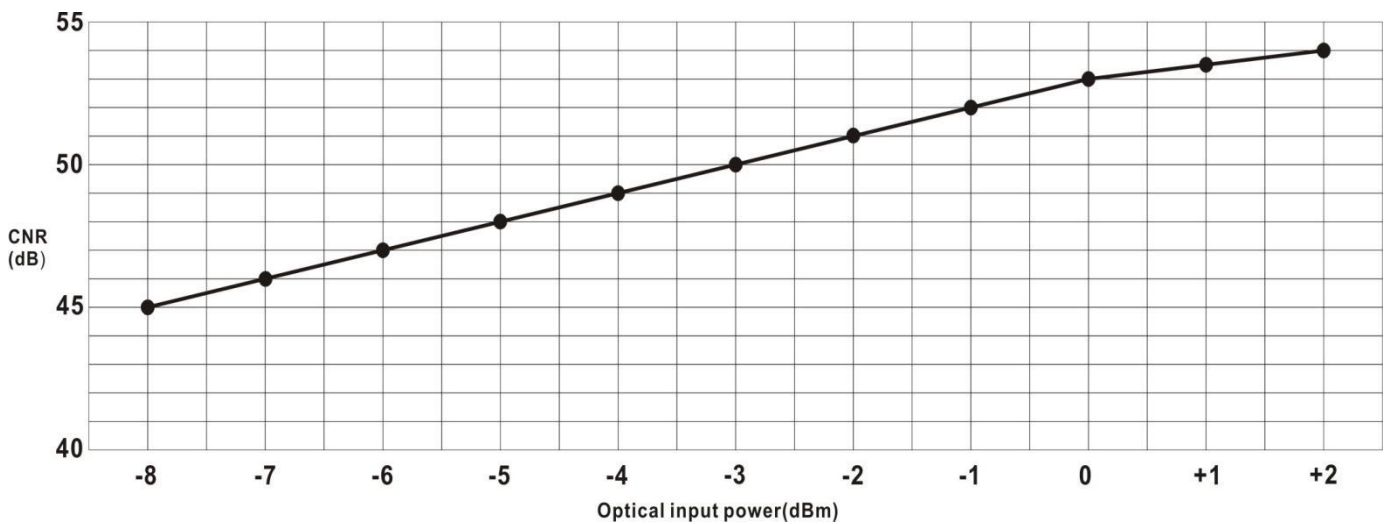
HD8602S/HD8602SH/HD8602HF



HD8602SFH



Relation Table of Input Optical Power and CNR



We produce a wide selection of network equipment under HONDAO brand. Gather thousands of products, which are supplier to customs of different filed and different requirement. QC team test all goods before shipment. We screen the Chinese supplier in a search of the most efficient product solutions available to satisfy your individual needs.