

### Overviews

OT1300X adopts high linearity DFB laser , built in perfect pre-distortion adjustment circuit and laser APC ,ATC closed loop control circuit . The LCD screen on the front panel can dispaly relative operating status and the fault information . Various output power offer operator more flexibility in the fiber network configuration .



### Feature

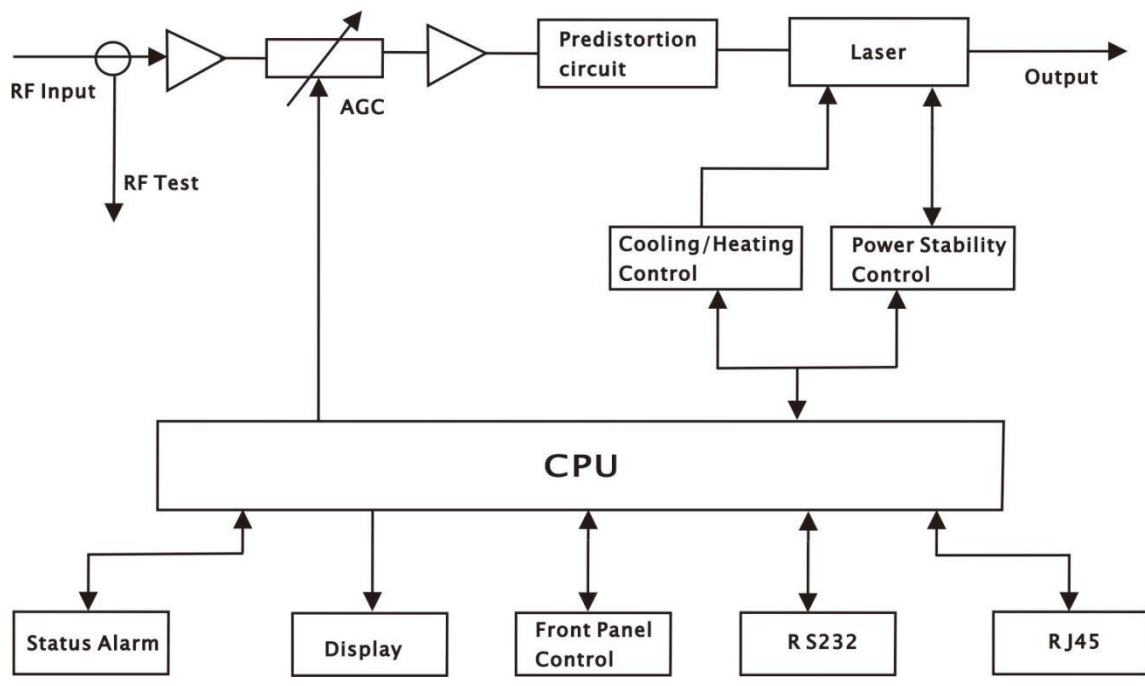
- Perfect pre-distortion circuit
- VFD ,19 inch 1U standard framework ,RS-485 RS-233 Ports
- With Built in SNMP, Adopt OMI Control (AGC/MGC circuit).
- Equipped standard IEEE802.3 10Base-T Ethernet network port andRS232 network port,
- can expediently realizes monitor through network.
- VFD ,19 inch 1U standard framework ,RS-485 RS-233 Ports
- Full automatically contorl of casing temperature by twn fans
- Output optical power 4~36mW
- Time locked function

### Specification

Item	Unit	Technique Parameter											
		Optical Feature											
Optical Power	mW	4	6	8	10	12	14	16	18	20	22	...	36
Optical Link Path Loss	dB	7	9	10	11	11.8	12.5	13	13.6	14	14.4	...	15.6
Optical Wave Length	Nm	1310±20											
Type of Laser		DFB											
Optical modulation mode		Direct Optical Intension modulation											
Optical connector Type		FC/APC, SC/APC											

RF Feature		
Frequency Range	MHz	47-1002
RF Input Level	dBuV	75-85
Flatness In Band	dB	±0.75
RF Input Impedance	Ω	75
Input Reflection Loss	dB	≥ 16 (47-550MHz); ≥ 14 (550-750/862MHz)
Link Feature		
No. of test channels		PAL-D/59CH(NTSC/80CH)
C/CSO	dB	≥ 65
C/CTB	dB	≥ 65
C/N	dB	≥ 52
General Feature		
AGC Control Range	dB	±5
MGC Control Range	dB	0-10
Power Voltage	V	AC 90V-260V (50Hz or 60Hz)
Power Consumption	W	30
Operation Temperature	°C	-5 -- +65
Store Temperature	°C	-40 -- +85
Relative Humidity	%	Max 95% no condensation
Dimension	mm	483 (L) ×370 (W) ×44 (H)

Diagram



# OT1300X

## 1310NM OPTICAL TRANSMITTER



### WEB SUPPORT

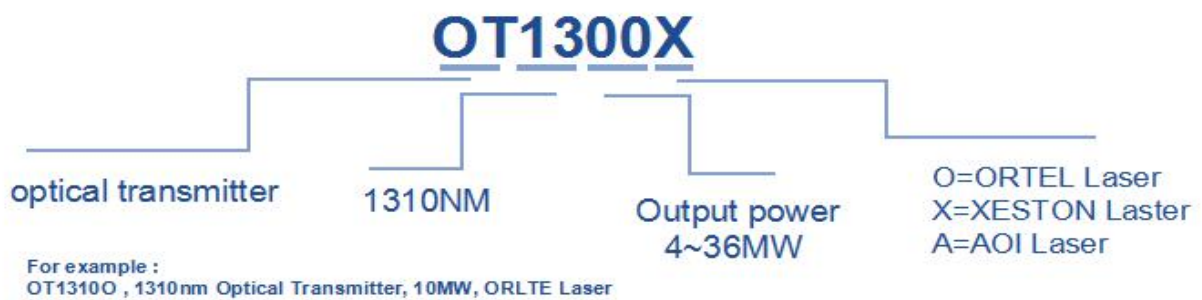
**SNMP Agent WEB Manager**

**Device Status**

Device Model	Optical Transmitter
Serial Number	200620103375
Device Version	1.9.3
Unit Temperature	33.0 °C
Input RF Level	66.0 dBuV
Laser Driver Level	78.0 dBuV
Laser Status	ON
Laser Wavelen	1555.75 nm
Laser Output	4.3 mW
Laser BIAS	39.0 mA
Laser TEMP	23.8 °C
Laser TEC	0.029 A
DC Power +3.3V	3.3 V
Power Supply 1	Normal
Power Supply 2	Fault

*Copyright © All rights reserved.*

### Order Information



# OT1300X

## 1310NM OPTICAL TRANSMITTER



Our QC team do second test for every OT



We produce a wide selection of network equipment under HONDAO brand . Gather thousands of products ,which are supplier to customs of different filed and different requirement . QC team test all goods before shipment . We screen the Chinese supplier in a search of the most efficient product solutions available to satisfy your individual needs .

HONDAO reserves the right to change the design or specification at any time without notice.